

SuperJet filters

The SuperJet filters are under- and over-pressure filters designed to run in constant operation. The SuperJet filter is made of high tensile steel to ensure strength combined with low weight. The filter is self-supporting with adjustable legs, and can be erected outdoors or in.

Fast assembly

SuperJet filters are factory-assembled as standard with a top part, filter body and bottom part, which can be quickly assembled and erected - or of course supplied separately. It is assembled using bolts in high tension steel with integrated washers, significantly reducing assembly time and the risk of over-tightening bolt assemblies.

Surface

Galvanised sheet, class Z 275 - zinc plating min. 275 g/m² double-sided.

Inlet

The inlet is designed according to the "partial downflow" principle. Contaminated air is passed into the filter and hits a perforated plate which separates most of the dust particles, which settle downwards through the vertical square conduit. The air diffuses through the perforated plate and through the filter bags.

Cleaning system

PowerPulse® cleaning with ECO-PowerPulse® filter control system.

Discharge system

The SuperJet filter is supplied with scraper bottom with discharge to a single B-500 rotary valve, but can be increased to two discharges, B-500 or B-750. Also available with discharge to JK-50S and JK-75S.

ATEX

The filter is fitted with approved explosion membranes. Choose between side venting or JKF's specially developed VFV® explosion relief venting, which vents explosion pressure vertically through the filter top. The filters fulfil pressure shock-resistance according to EN 14460. Venting according to EN 14491.

The filter is risk assessed in accordance with EN 1127-1 and CE-marked to have an internal zone 21 on the dirty side of the filter and zone 22 on the clean air side of the filter.

Operating range

Pressure:	+/- 5000 Pa
Filter area:	172 - 269 m ²
Max. operating temperature:	65°C
Min. operating temperature:	-20°C (available for -40°C)

Connection

Gear motor scraper bottom:

0.75 kW, 7.8 min⁻¹, 3x400 V, 50 Hz, 2.7 A

Inductive sensor scraper bottom:

24 VDC

ECO-PowerPulse® filter control system:

0.3 kW, 3x400 V, 50 Hz, 1.1 A (16 A)



SuperJet filters

External compressed air - PowerPulse®:

6.5 - 8.0 bar, min. 650 NI/min.

Air quality according to ISO 8573-1: 2010 [5:3:4]

External connection: ¼" internal thread.

Noise

Noise level during cleaning measured 5 m above the ground: 69.8 dBA

Accessories

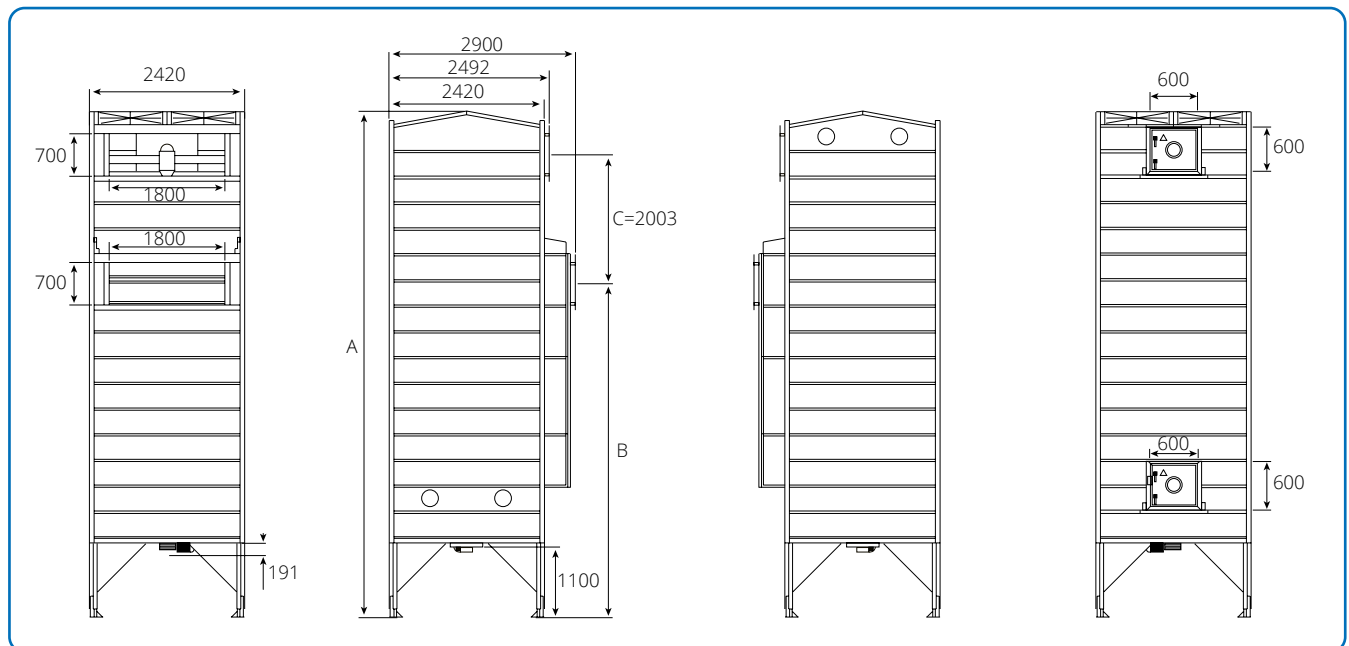
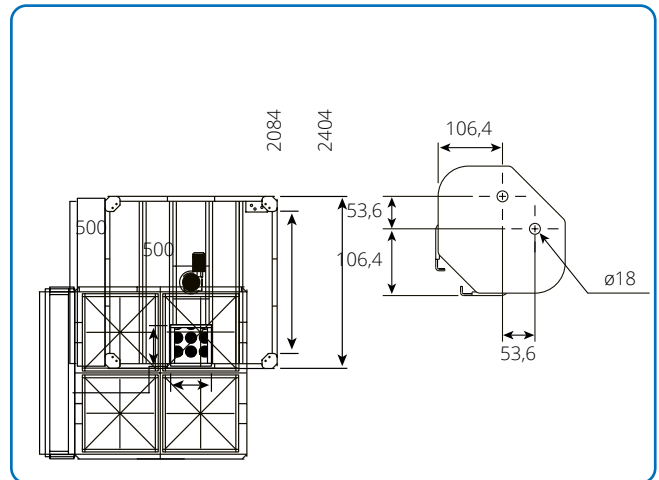
Ladder/gangway:

Ladder/gangway designed according to ISO/EN/DIN 14122.3/4 and available in several configurations: Ladder with gangway, side-mounted or ladder with double gangway, side-mounted.

Monitoring apparatus for explosion membrane.

Door contacts:

2.3 (close-before-switch-contact) in accordance with EN50047, IP67 NC contact.



Type	Bag length m	Filter area m ²	A mm	B mm	Weight kg
SuperJet-3	3.0	172	7058	4411	3350
SuperJet-4	4.0	220	7858	5211	3790
SuperJet-5	5.0	269	8658	6011	4110