

Poluclean® SI-filter

The Poluclean SI is a compact dust collector for discontinuous process.

Aimto

- Clean and protect the working environment
- Protect operators
- Be compliant with regulations in force

Dust treated

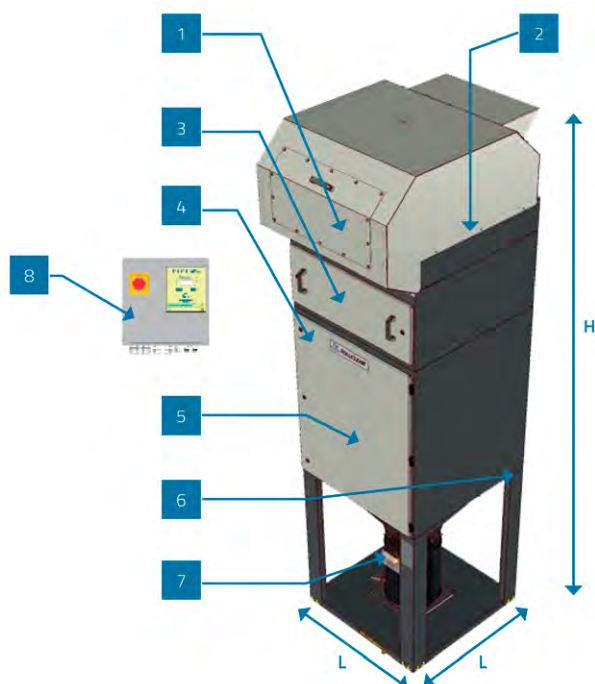
For use on dust with and explosion risk* or not:

- Food
- Aluminium
- Plastic
- Composite
- Carbon
- Wood

Applications

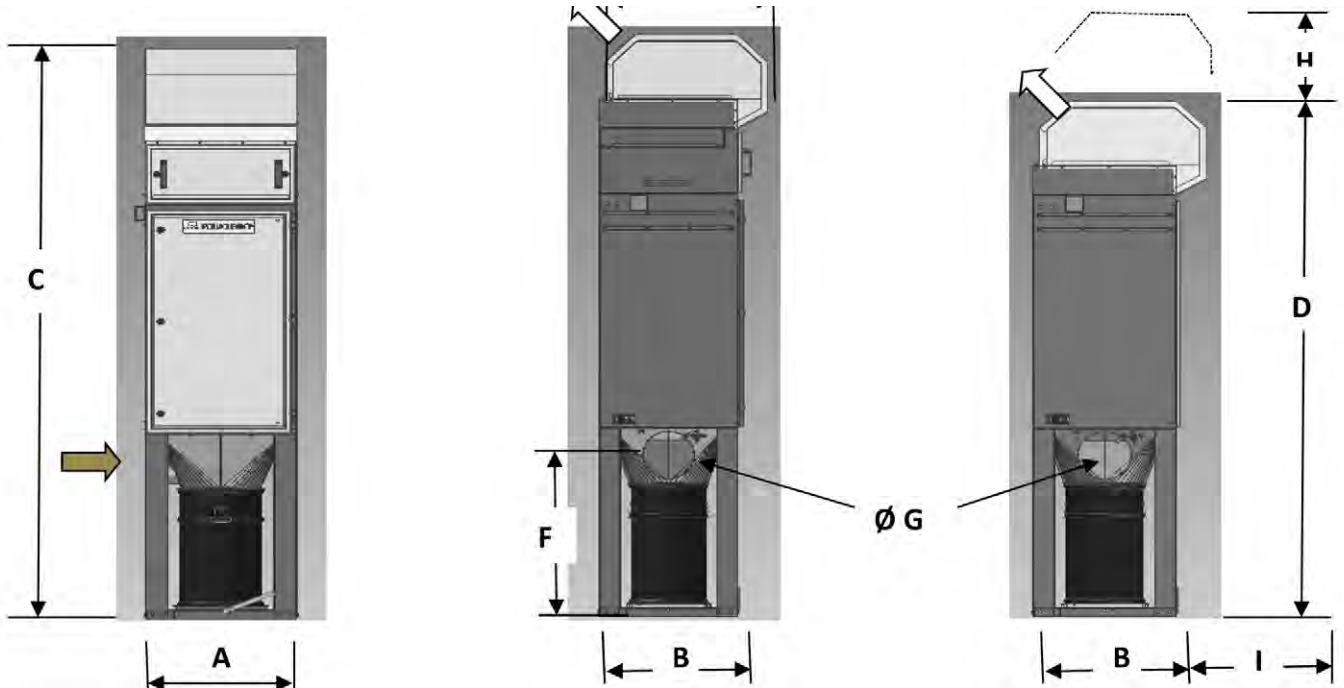
Dust extraction operations such as:

- Weighing
- Bagging
- Dosing
- Bag slitting
- Sawing
- Deburring
- Cutting
- Sanding



| | |
|---|----------------------------------|
| 1 | Soundproofing |
| 2 | Fan |
| 3 | Secondary filter casing (option) |
| 4 | Shaker motor |
| 5 | Access door |
| 6 | Hopper |
| 7 | Collection bin (33 or 60 liters) |
| 8 | Electrical cabinet |

Poluclean® SI-filter



POLUCLEAN® with secondary filter

POLUCLEAN® without secondary filter

| POLUCLEAN® SI | A (mm) | B (mm) | C (mm) | D (mm) | E (mm) | F (mm) | Ø G (mm) | H (mm) | I (mm) |
|---------------|-----------|-----------|-----------|-----------|-----------|-----------|-------------|-----------|-----------|
| 10 | 660 | 660 | 2380 | 2040 | 800 | 554 | Ø 248 ext | 275 | 1100 |
| 20 | 660 | 660 | 2750 | 2410 | 800 | 554 | Ø 248 ext | 275 | 1100 |
| 30 | 970 | 970 | 3295 | 2790 | 1170 | 954 | Ø 313 ext | 400 | 1650 |
| 40 | 970 | 970 | 3535 | 3035 | 1170 | 954 | Ø 313 ext | 400 | 1650 |

H = Removal of silencer hood for work on fan motor

I = Distance required for maintenance of multi bag filter