

Jetline® K filter

The JETLINE® K is a dust collector with automatic compressed air cleaning. It operates constantly, providing maximum filtration, particularly in the case of fine dust.

Surface

Powder coated to corrosion class C3 cf. ISO 12944.

Inlet

Contaminated air passes into the filter through the pressure loss optimised inlet, ensuring optimum separation of the dust particles.

Type of dust treated:

Food (chocolate, flour, milk powder), metal, polymer powder, polyurethane brass, zirconium silicate, aluminum oxide, fiberglass, plaster, carbon, plastic, wood, silica, polyethylene, concrete, composite, pigment and many others.

Triopticlean

- A simple, clean system for removing cartridges in a plastic bag
- A downward flow between the cartridges facilitates settling of dust in the hopper
- Optimal cleaning to eliminate all dust accumulation on top surface



Cleaning system

Cleaning control sequencer.

The JETLINE® K requires a clean, dry compressed air supply.

Pressure: 4.5 - 6 bar, ISO 8573-1 (class 3.3.3).

Discharge system

Conical hopper with recovery bin.

Safety

The JETLINE® K can be fitted with devices to reduce the risk of explosion: antistatic filter cartridges, earthing of metal parts to reduce the effects of electrostatic charge, explosion venting on the top.

Operating range

Pressure: +/- 5000 Pa

Filter area: 80-600 m²

Max. operating temperature: 80°C

Min. operating temperature: -20°C

Efficiency

The NEU cartridge is manufactured from non-woven polyester with a layer of heat-fused fibres across the whole surface. The perfectly even structure guarantees optimal filtration.

Maintenance

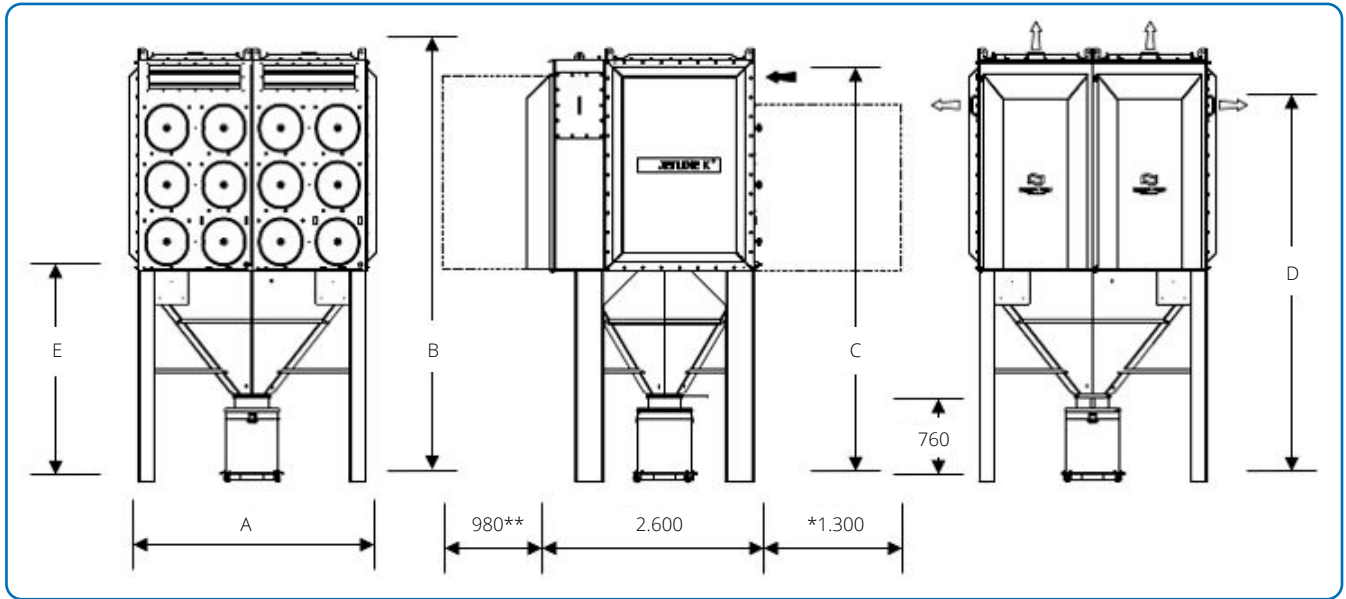
No tools are required to remove the cartridges. The cartridge removal holder is supplied with the dust collector. As an option, we can supply our "Bag-in/Bag-out" system.

Characteristics

- + Choice of media to withstand temperatures up to 80°C
- + Reduced pressure drop
- + Pre-assembled and wired in our factory
- + Choice of clean air outlet positions: top or side
- + Modular construction for unlimited range of sizes
- + Optional "Bag-in / Bag-out" arrangement for toxic or hazardous applications
- + Easy access for clean cartridge replacement – no special tools required
- + ATEX version with venting on top

Jetline® K filter

JETLINE® K with conical bottom



Jetline® K 240-2-6

(*cartridge extraction, **cover open)

Jetline® K	A (mm)	B (mm)	C (mm)	D (mm)	E (mm)	Weight (kg) JK	Weight (kg) JK ATEX
JK 80-1-4/JK 100-1-4	1170	3050	2800	2550	1600	730	800
JK 120-1-6/JK 150-1-6	1170	3550	3300	3050	1600	800	850
JK 160-1-8/JK 200-1-8	1170	4050	3800	3550	1600	1050	1030
JK 240-2-6/JK 300-2-6	2170	3810	3560	3310	1860	1450	1470
JK 320-2-8/JK 400-2-8	2170	4310	4060	3810	1860	1750	1800
JK 360-3-6/JK 450-3-6	3170	4860	4600	4360	2910	2220	2200
JK 480-3-8/JK 600-2-8	3170	5360	5100	4860	2910	2600	2620