

## Jetline® CH-filter

The JETLINE CH is a dust collector for fine dust.

It is recommended for the treatment of air containing fine, dry, non-fibrous dust.

JETLINE® CH is a dust collector for continuous filtration at high-speed of atmospheres containing high concentrations of dust in almost all industrial applications.

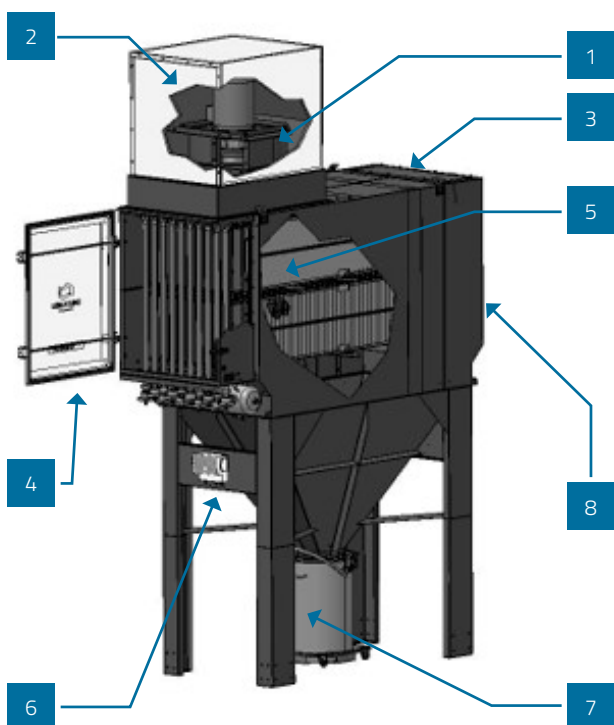
### Modular design

A compact and modular design ideal for installation in restricted areas.

### Configuration and control

Configuration and control of the system components (fan, rotary valve, emission probe, air pulse cleaning system, level probe ...) through the NEUSMART box.

Available in ATEX version with explosion vents located at therearortop.



### Advantages

- A high-performance filter media able of guaranteeing a very low dust release of a few mg/ Nm<sup>3</sup>
- Compact equipment with its integrated fan
- Easy maintenance with lateral extraction of filter elements
- Same models can be equipped with the NEUSMART control panel and its touch screen to set the cleaning cycles, register the pressure drop and the relased dust and also program the maintenance phases.
- In option: air flowrate controller to ensure a regular flowrate
- A safe dust collection system

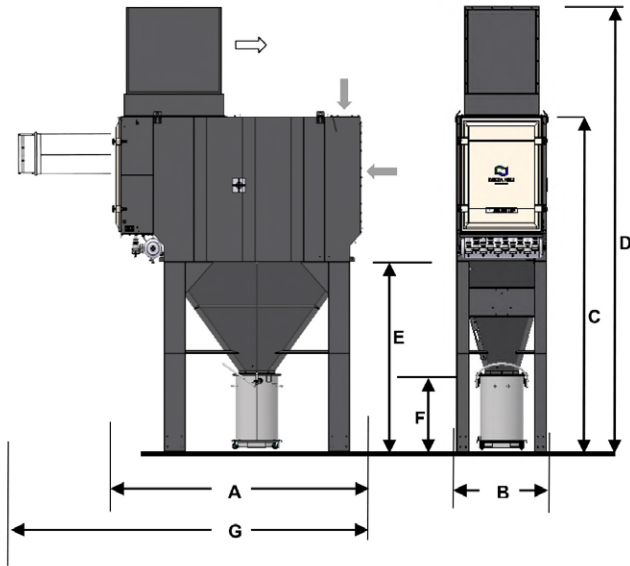
### Characteristics

- Treated air flow: 1 000 a 20 000 m<sup>3</sup>/h
- Fan power: 2,2 a 11 kW
- Filtering surface from 10 to 120 m<sup>2</sup>

1	Fan
2	Soundproofing
3	Dust-laden air input (top or rear)
4	Access door
5	Filter bags
6	Sequential controller
7	Collection bin
8	Explosion vent (rear or top)

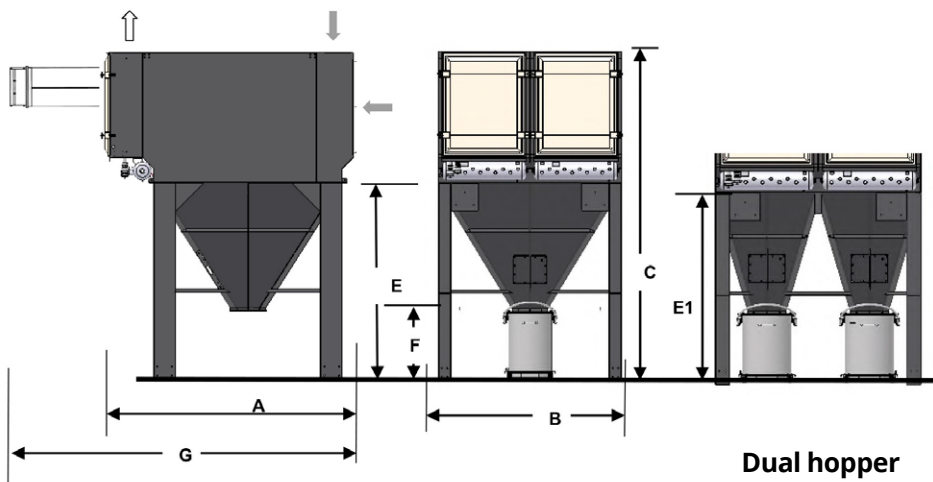
## Jetline® CH-filter

JETLINE® CH 10/20/30/40/45/60



JCH	A (mm)	B (mm)	C (mm)	D (mm)	E (mm)	F (mm)	G (mm)	Weight (kg)
10	1,550	1,050	2,175	2,785	1,270	760	2,460	525
20	1,550	1,050	2,695	3,465	1,270	760	2,460	720
30	2,100	1,050	3,025	4,095	1,600	760	3,500	990
40	2,700	1,050	3,285	4,355	1,860	760	4,500	1,210
45	2,100	1,050	3,550	4,615	1,600	760	3,500	1,200
60	2,700	1,050	3,800	5,270	1,860	760	4,500	1,440

JETLINE® CH 80/90/120

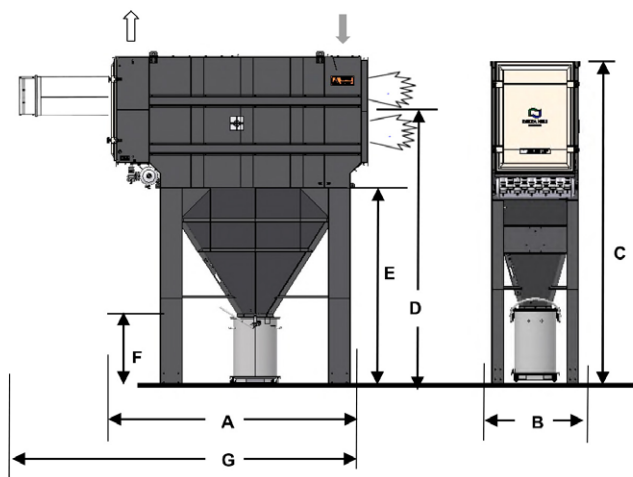


JCH	A (mm)	B (mm)	C (mm)	E (mm)	E (1) (mm)	F (mm)	G (mm)	Weight (kg)	Weight (1) (kg)
80	2,700	2,100	3,585	2,160	2,060	760	4,500	1,580	1,670
90	2,100	2,100	3,900	1,950	1,690	760	3,500	1,700	1,760
120	2,700	2,100	4,100	2,160	2,060	760	4,500	2,030	2,160

(1) Dualhopper

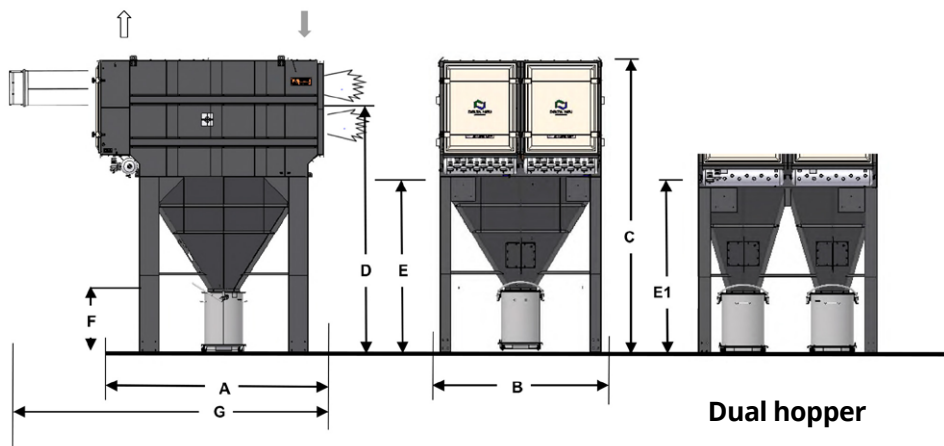
## Jetline® CH-filter

JETLINE® CH 10/20/30/40/45/60 EX VERSION



JCH	A (mm)	B (mm)	C (mm)	D (mm)	E (mm)	F (mm)	G (mm)	Weight (kg)
10	1,620	1,050	2,175	1,840	1,270	760	2,530	410
20	1,620	1,050	2,695	2,100	1,270	760	2,530	640
30	2,170	1,050	3,025	2,430	1,600	760	3,570	860
40	2,770	1,050	3,285	2,690	1,860	760	4,570	990
45	2,170	1,050	3,550	2,690	1,600	760	3,570	980
60	2,770	1,050	3,800	2,950	1,860	760	4,570	1,290

JETLINE® CH 80/90/120 EX VERSION



JCH	A (mm)	B (mm)	C (mm)	D (mm)	E (mm)	E (1) (mm)	F (mm)	G (mm)	Weight (kg)	Weight (1) (kg)
80	2,770	2,100	3,585	3,290	2,160	2,060	760	4,570	1,690	1,740
90	2,170	2,100	3,900	3,040	1,950	1,690	760	3,570	1,760	1,830
120	2,770	2100	4,100	3,250	2,160	2,060	760	4,570	2,110	2,200

(1) Dualhopper

