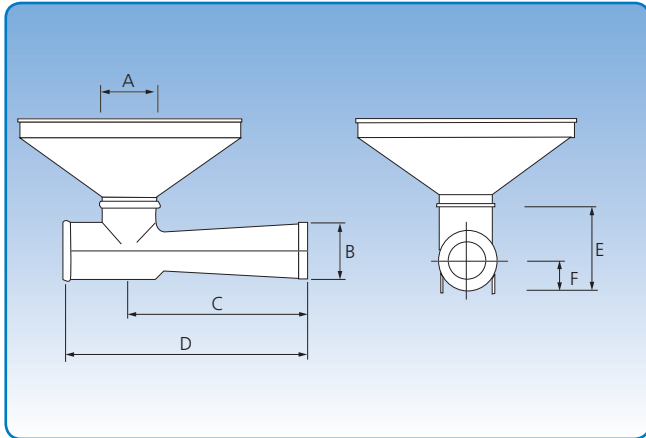
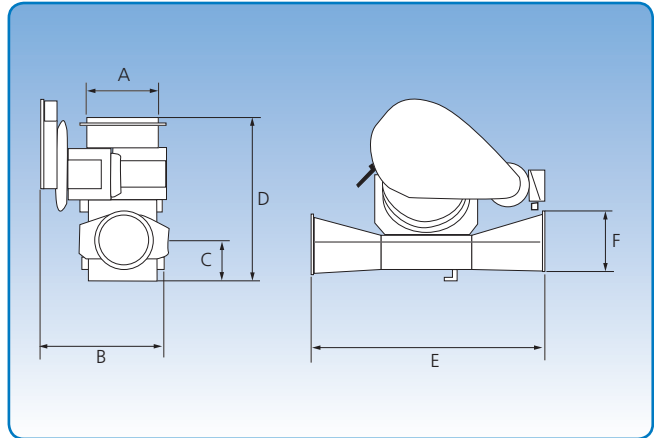


Injectors and feeder units



Injector. Dimensional specifications are given in the table below.

The injectors are designed for mounting on high-pressure fan types JK-2HT, JK-4HT, JK-5HT and JK-7HT.



Feeder unit. Dimensional specifications are given in the table below.

The feeder unit types JK-2CFA and JK-3CFA are designed for pneumatic transport in horizontal ducting.

They can be mounted in horizontal duct lines and withstand dust and pebbles taken in with the grain.

The rotor blades in the feeder units are rubber instead of steel, which flex when struck by hard objects in the air flow, avoiding being damaged.

Designed for use with JK-5HT, JK-7HT, JK-10HT and JK-15HT high-pressure fans where JK-15HT can be mounted with either JK-2CFA or JK-3CFA.

Type feeder units	A	B	C	D	E	F
JK-8"		370	110 - 130	445 - 465	660	JK-6"
JK-8"		460	120	495	850	JK-6"

Type injectors	A	B	C	D	E min.	F max.
Type 2	JK-6"	JK-6"	500	670	220 - 275	100 - 155
Type 4	JK-6"	JK-6"	500	670	220 - 275	100 - 155
Type 5	JK-6"	JK-6"	500	670	220 - 275	100 - 155