

Fan types

JK-60MTDP – JK-70MTDP – JK-80MTDP – JK-90MTDP

The direct drive centrifugal fan types JK-60MTDP, JK-70MTDP, JK-80MTDP and JK-90MTDP are designed for material transport, e.g. wood chips and dust.

Equipped with backward-inclined blades and aerodynamic inlet spigot made from brass.

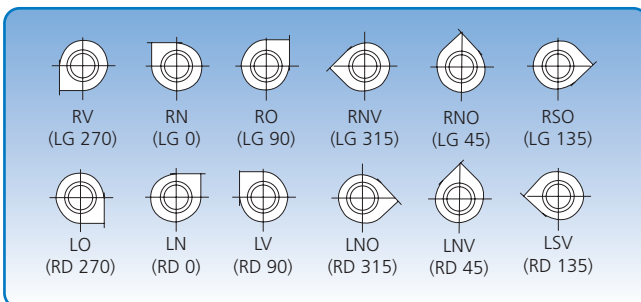
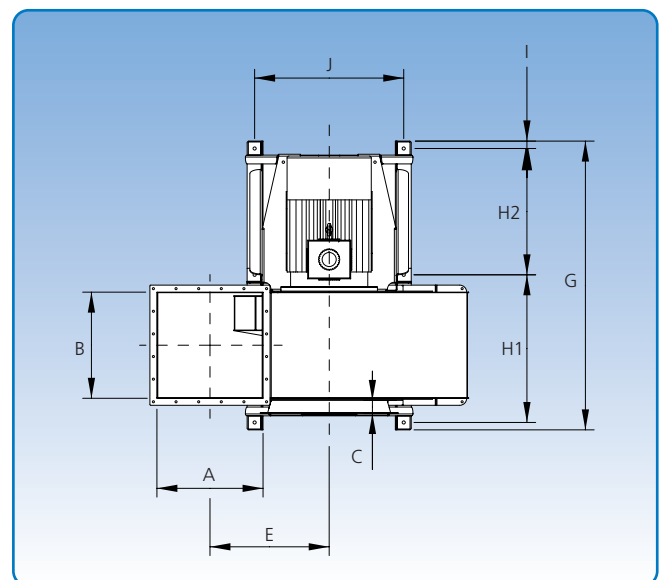
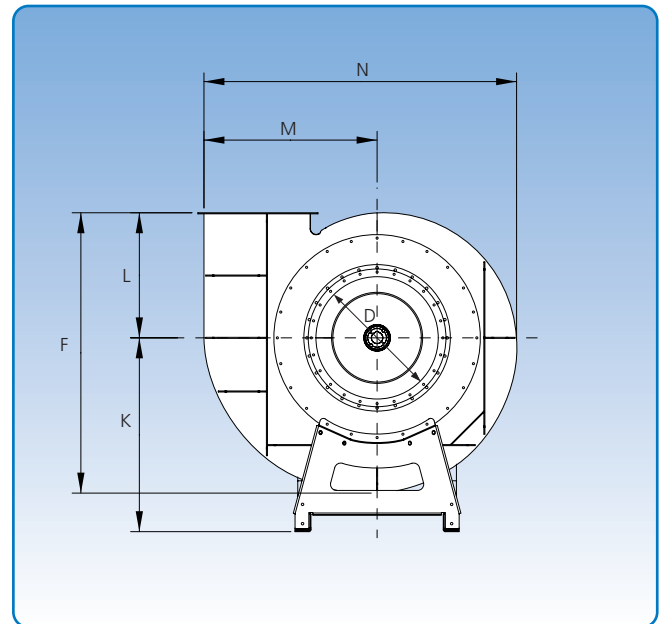
The impellers are statically and dynamically balanced according to ISO 10816-3.

Max. operating temperature: 60°C

The inlet (D) is supplied with flange as standard.

Specific dimensions for the outlet and inlet flanges can be found under "Flanges".

The technical data for each type appears on the following pages.



12 positions. The position illustrations are viewed from the inlet side.

Type	Dimensions															Weight without motor kg
	A mm	B mm	C mm	D mm	E mm	F mm	G mm	H1 mm	H2 mm	I mm	J mm	K mm	L mm	M mm	N mm	
JK-60MTDP	505	505	75	600	655	1515	1481	742	655	42	850	1032	685	906	1659	455
JK-70MTDP	605	605	75	700	680	1598	1646	842	720	42	850	1105	713	979	1773	521
JK-80MTDP	705	705	75	800	711	1691	1821	942	795	42	1000	1188	744	1062	1901	610
JK-90MTDP	805	805	75	900	718	1762	1990	1071	832	44	1020	1264	771	1120	1994	777