

Fan types JK-55MTD - JK-90MTD

The direct drive centrifugal fan types JK-55MTD – JK-90MTD are designed for transport of clean air:

Equipped with backward-inclined blades and aerodynamic intake.

The impellers are statically and dynamically balanced.

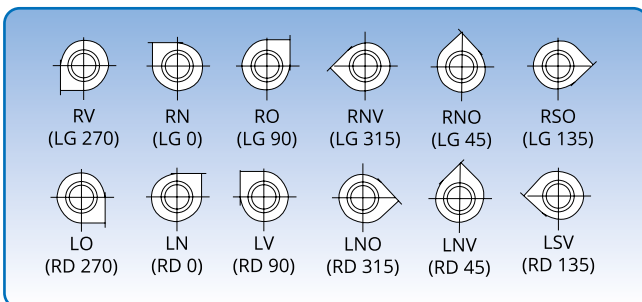
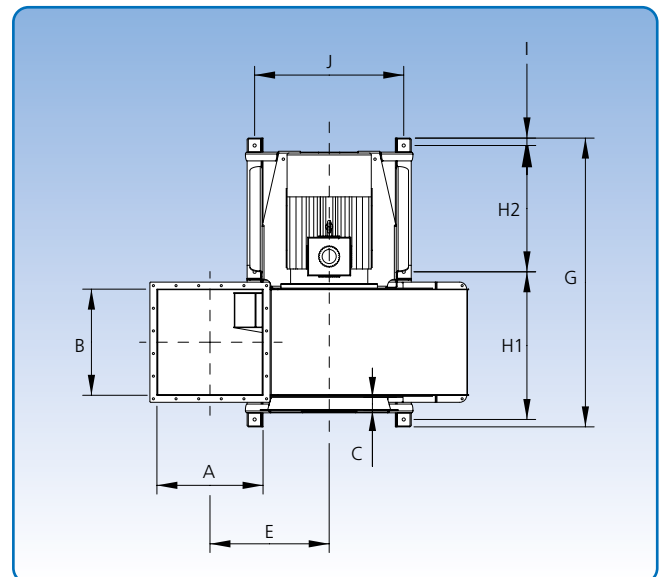
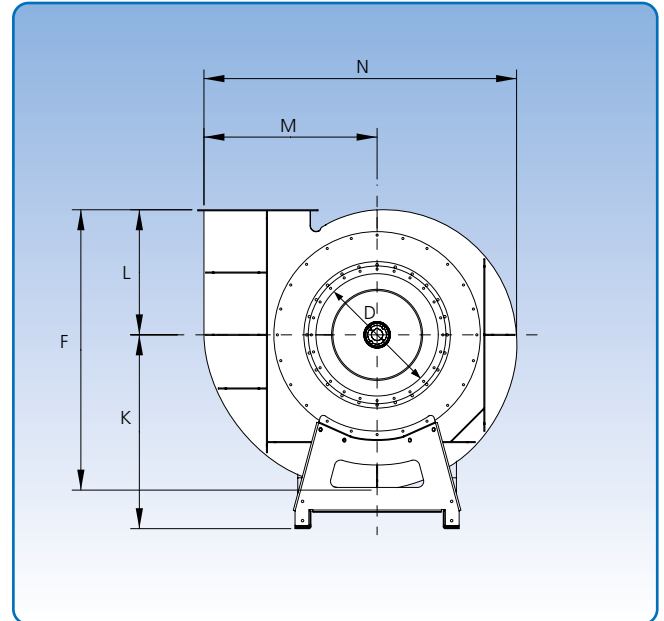
Max. internal operating temperature: 60°C

The inlet (D) is supplied with flange as standard.

Specific dimensions for the outlet and inlet flanges can be found under “Flanges”.

Available in stainless steel inlet and explosion proof (Ex) motor.

The technical data for each type appears on the following pages.



6 positions. The position illustrations are viewed from the inlet side.

Dimensions																
Type	A mm	B mm	C mm	D mm	E mm	F mm	G mm	H1 mm	H2 mm	I mm	J mm	K mm	L mm	M mm	N mm	Weight without motor kg
JK-55MTD	505	505	173	550	655	1515	1481	742	655	42	850	1032	685	906	1659	441
JK-60MTD	505	505	75	600	655	1515	1481	742	655	42	850	1032	685	906	1659	444
JK-70MTD	605	605	75	700	680	1598	1646	842	720	42	850	1105	713	979	1773	491
JK-80MTD	705	705	75	800	711	1691	1821	942	795	42	1000	1188	744	1062	1901	564
JK-90MTD	805	805	75	900	718	1762	1990	1071	832	44	1020	1264	771	1120	1994	807