

Fan type T-200D/K - T-500D/K

The indirect driven centrifugal fan types T-200K – T-500K and direct driven fan types T-200D – T-500D is designed for concentrated material handling over long distances.

The impellers are available in 2 versions, an open T-impeller for coarse-grained or rather long material types and a closed P-impeller for dust particles (< 2 mm).

The impeller for paper is always made as open T-impeller with 6 blades.

T-impeller is available in wear-resistant material HARDOX.

The impeller is statically and dynamically balanced.

The fan is available in anti-spark version with stainless steel inlet and explosion-proof (Eex) motor.

The pulleys are fitted with taperlock. This means that they can be easily re-placed if the number of revolutions has to be changed.

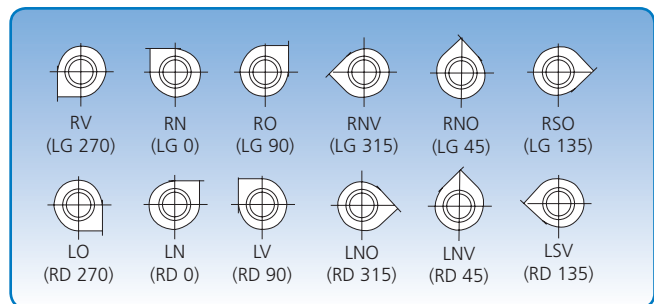
Max. operating temperature: 60°C

With cooling wings: Up to 200°C (only K-models)

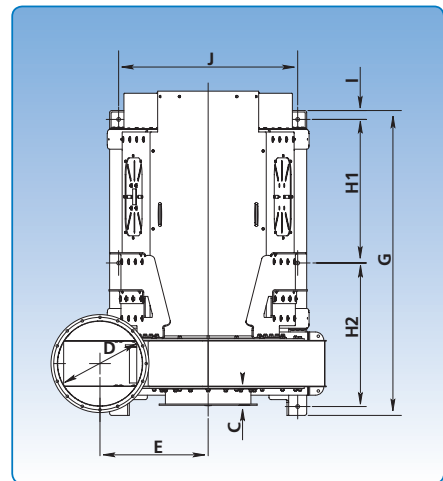
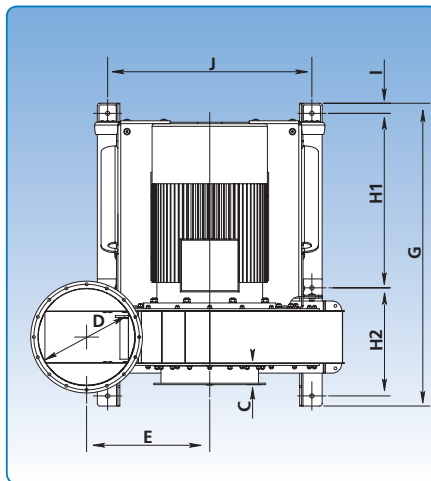
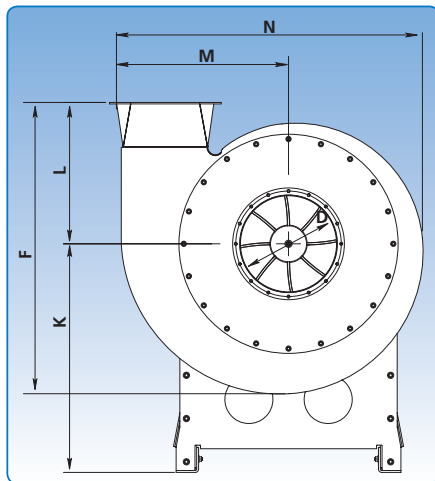
Dimensions (D) for the inlet are external, and is supplied smooth on T-200 and T-300 and with flange on T-400 and T-500.

Specific dimensions for the outlet flanges can be found under “Flanges”.

The technical data for each type appears on the following pages. Effects measured according to ISO 5801.



6 positions. The position illustrations are viewed from the inlet side.



T-D

Type	Dimensions													Weight without motor kg
	C mm	D mm	E mm	F mm	G mm	H1 mm	H2 mm	I mm	J mm	K mm	L mm	M mm	N mm	
T-200K	100	200	352	896	1099	506	506	42	671	720	496	454	834	257
T-300K	75	300	380	1076	1255	584	584	42	786	860	591	533	971	371
T-400K	106	400	514	1212	1436	676	676	42	850	1008	588	716	1273	627
T-500K	215	500	522	1361	1668	792	792	42	932	1193	693	774	1366	677
T-200D	100	200	352	896	934	305	545	38	671	720	496	454	834	219
T-300D	75	300	380	1076	1110	366	660	38	760	860	591	533	971	328
T-400D	106	400	514	1212	1208	398	726	37	850	1008	588	716	1273	529
T-500D	215	500	522	1361	1535	450	1001	37	850	1193	693	774	1366	646