

Blower and EC-filters

The blower and EC-filter is an under- and over-pressure filter, designed for continuous operation. Constructed as a self-supporting sheet metal construction. The round design ensures great strength combined with low weight.

Surface

Powder coated to corrosion class C3 cf. ISO 12944.

Inlet

The Blower and Jet filters are fitted with 180° tangential inlets to ensure effective sorting of heavy materials before the process air passes through the filter medium.

BF-34, 36, 55, 60 and 90-filters are also available with total separators. Standard height is 1000 mm, with the inlet at 90°C. This type of inlet is used in plants in which the process air contains heavy and sharp articles to prevent them coming into contact with the filter medium.

Cleaning system

BF-36, 60, 90 ET filters are supplied with PowerPulse®. BF-8, 12, 20, 34, 55 filters are supplied with EC-cleaning.

Discharge system

Conical or scraper bottoms are available for the discharge system, but silo filter is also available.

ATEX

Choose between side venting or JKF's specially developed VFV® explosion relief venting, which vents explosion pressure vertically through the filter top.

Operating range

Pressure:	+/- 5000 Pa
Filter area:	7.7-200 m ²
Max. operating temperature:	70°C
Min. operating temperature:	-20°C (available for: -40 °C)

Connection

Gear motor Blower-cleaning:

Connection EC filter control system BF-8, 12, 20, 34, 55:

0,25 kW, 1 x 230 V, 50 Hz, 0,1 A

Gear motor PowerPulse® cleaning system:

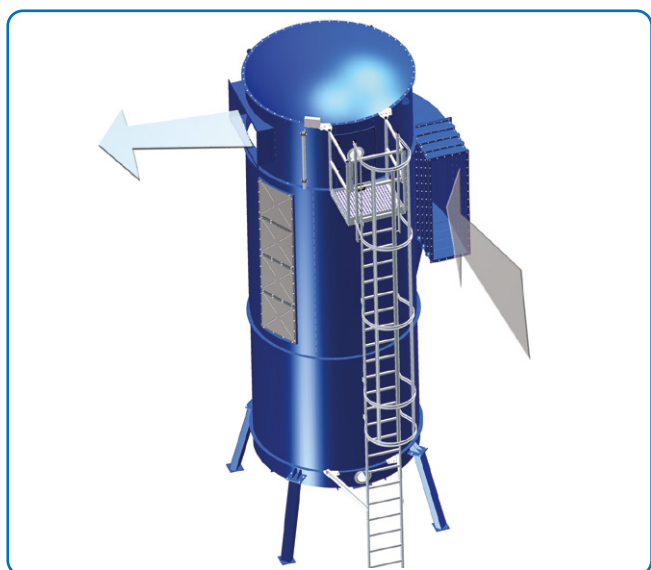
0.12 kW, 15.6 min⁻¹, 3 x 230 V, 50 Hz, 0.7 A

Gear motor scraper bottom:

Type 20: 0.25 kW, 15.7 min⁻¹, 3 x 400 V, 50 Hz, 1.1 A

Type 34, 36: 0.55 kW, 11.0 min⁻¹, 3 x 400 V, 50 Hz, 1.7 A

Type 55, 60 and 90: 0.75 kW, 11.0 min⁻¹, 3 x 400 V, 50 Hz, 2.2 A



BF-filter with scraper bottom and tangential inlet.
Shown with explosion relief venting in side.
With ladder and platform mounted.



BF-filter with scraper bottom and tangential inlet.
Shown with VFV® explosion relief venting in the filter top.
Fitted with ladder and platform.

Blower- and EC-filters

Inductive sensor, scraper bottom:

24 VDC

PowerPulse® ECOTROL® filter control system, BF-CT-ET:

0.6 kW, 1 x 230 V, 50 Hz, 1.9 A

External compressed air - PowerPulse®:

5 bar, min. 350 NI/min.

Air quality according to ISO 8573-1: 2010 [5:3:4]

External connection: 1/4" internal thread.

Noise

Noise level during cleaning measured 5 m from ground level:

EC: 70.0 dBA

PowerPulse®: 70.4 dBA

Accessories

Ladder/gangway:

Ladder/gangway designed according to ISO/EN/DIN 14122.3/4 and available in several configurations.

- Ladder with gangway, front-mounted
- ladder with double gangway, front-mounted
- monitoring equipment for explosion membrane

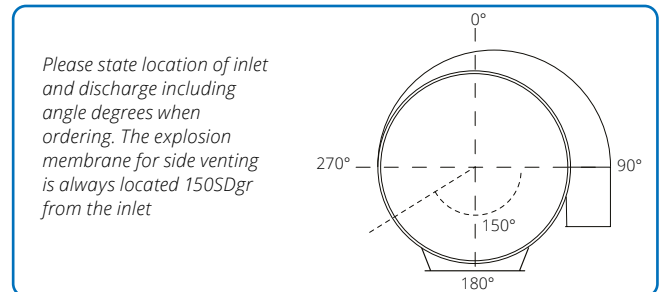
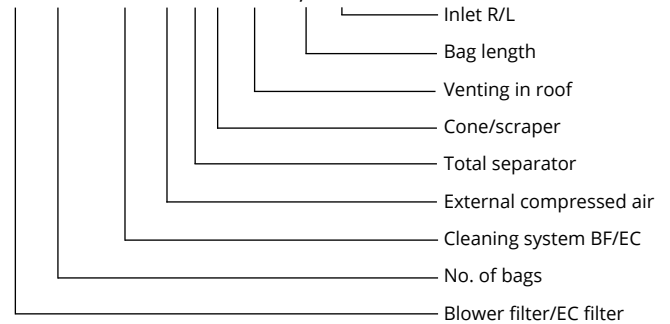
Door contacts:

2.3 (close-before-switch-contact) in accordance with EN50047, IP67 NC contact.

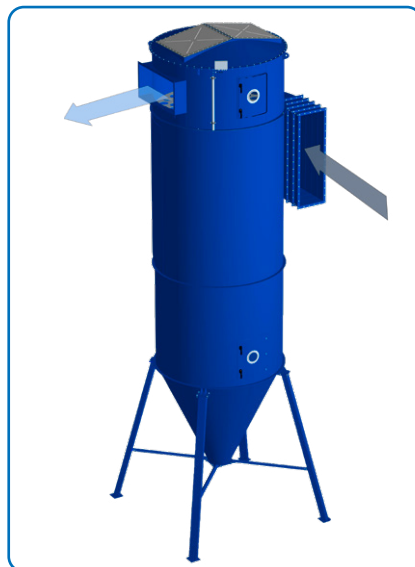
Type designations

Filters are type-designated using a combination of letters and numbers separated by hyphens and spaces. Designation BF-36CT-ET S VFV 3.0-R therefore describes a Blower filter with 36 filter bags, PowerPulse® cleaning system with ET, scraper bottom, vertical explosion relief venting, 3 m filter bag and right inlet.

BF-36CT-ET EX T S VFV 3,0-R



Blower-filter with scraper bottom and tangential inlet. Cross-section shows the PowerPulse® cleaning system.

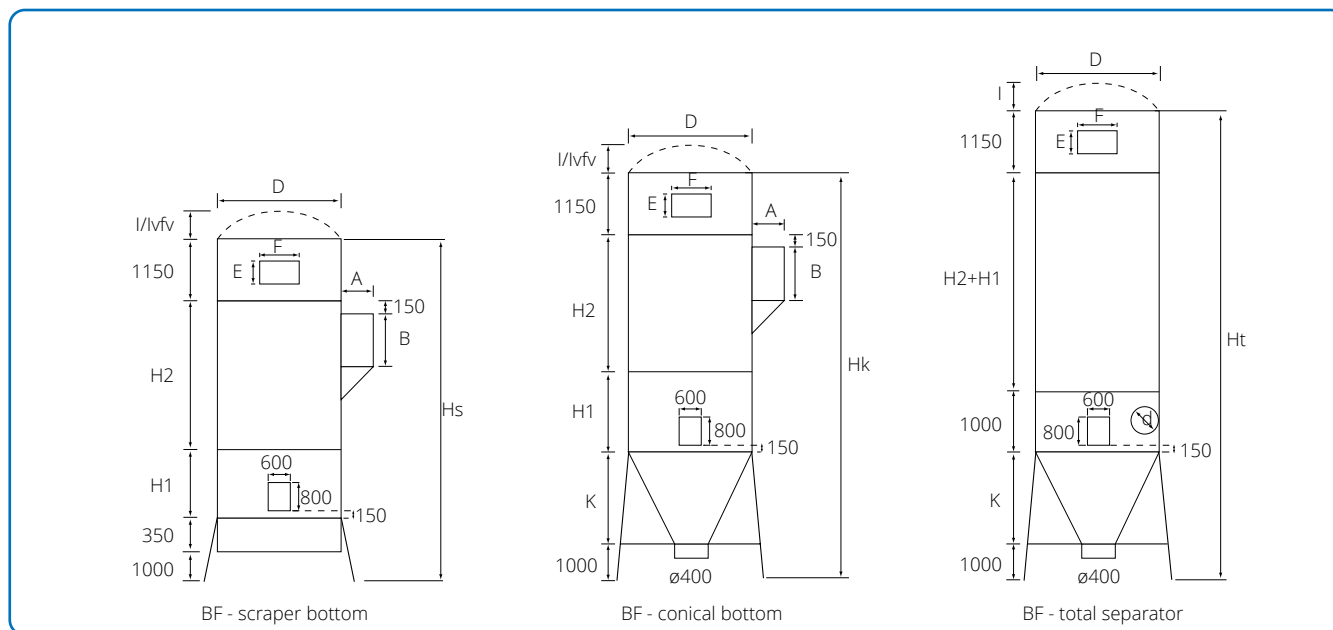


Blower-filter with conical bottom and tangential inlet.



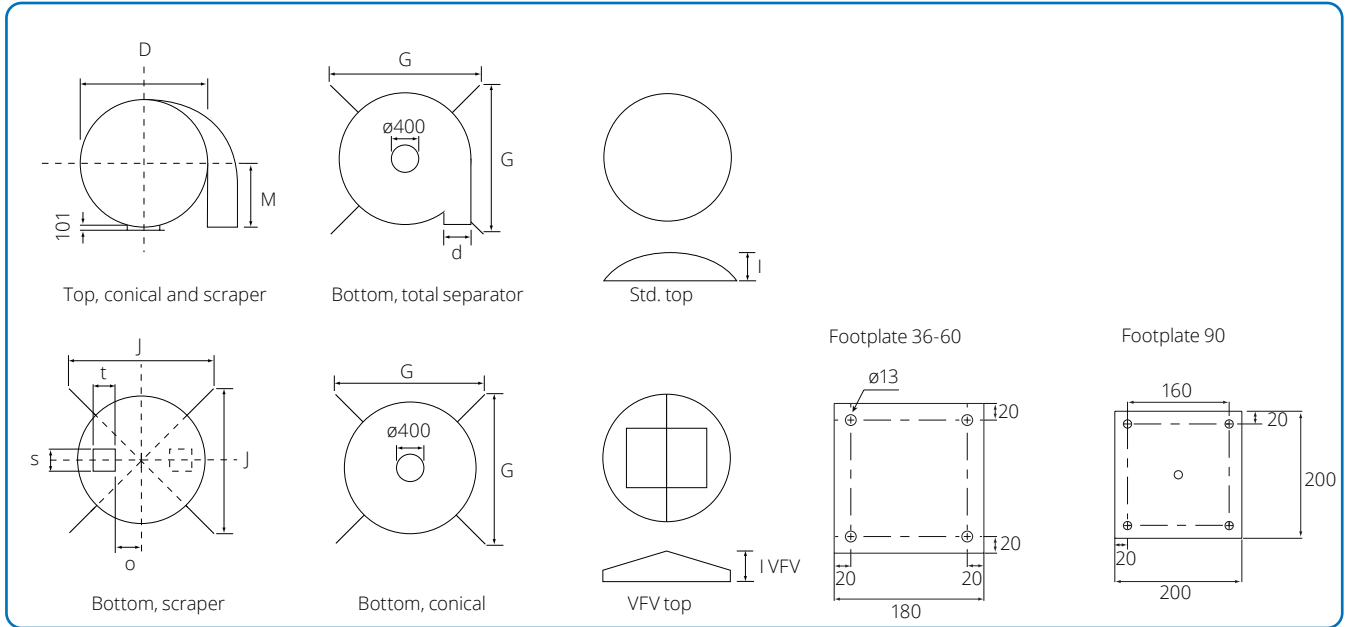
Blower-filter with conical bottom and total separator.

Blower filters



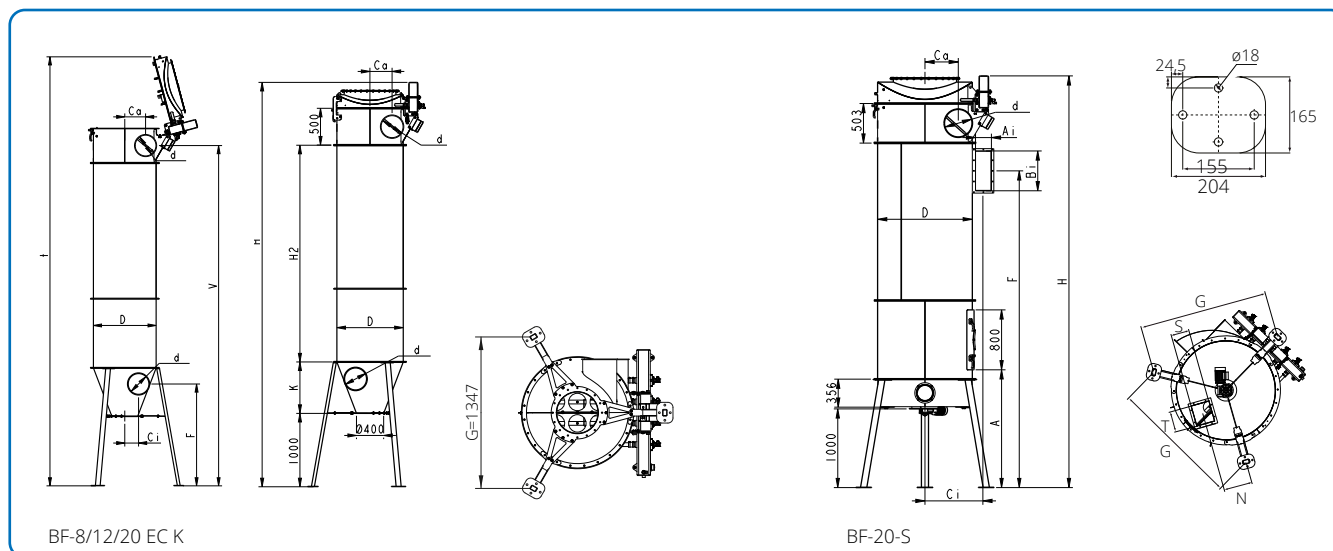
	Filter area m ²	D mm	Hs mm	H1 mm	H2 mm	Hk mm	K mm	Ht mm	d mm	l mm
BF-36 - 2,0	34,3	1500	4503	-	2000	5338	1185	6338	400	210
BF-36 - 3,0	51,3	1500	5503	1000	2000	6338	1185	7338	2 x 400	210
BF-36 - 4,0	65,4	1500	6503	2000	2000	7338	1185	8338	2 x 400	210
BF-36 - 5,0	80,0	1500	7503	3000	2000	8338	1185	9338	2 x 400	210
BF-60 - 2,0	57,2	1900	4507	-	2000	5767	1610	6767	600	260
BF-60 - 3,0	85,5	1900	5507	1000	2000	6767	1610	7767	600	260
BF-60 - 4,0	108,9	1900	6507	1500	2500	7767	1610	8767	600	260
BF-60 - 5,0	133,4	1900	7507	2500	2500	8767	1610	9767	600	260
BF-90 - 3,0	128,2	2350	5500	-	3000	7240	2084	8240	800	350
BF-90 - 4,0	163,4	2350	6500	1000	3000	8240	2084	9240	800	350
BF-90 - 5,0	200,1	2350	7500	2000	3000	9240	2084	10240	800	350

BF-36-60, 90 has one filter door in the top section and one in the filter body (600×800 mm).



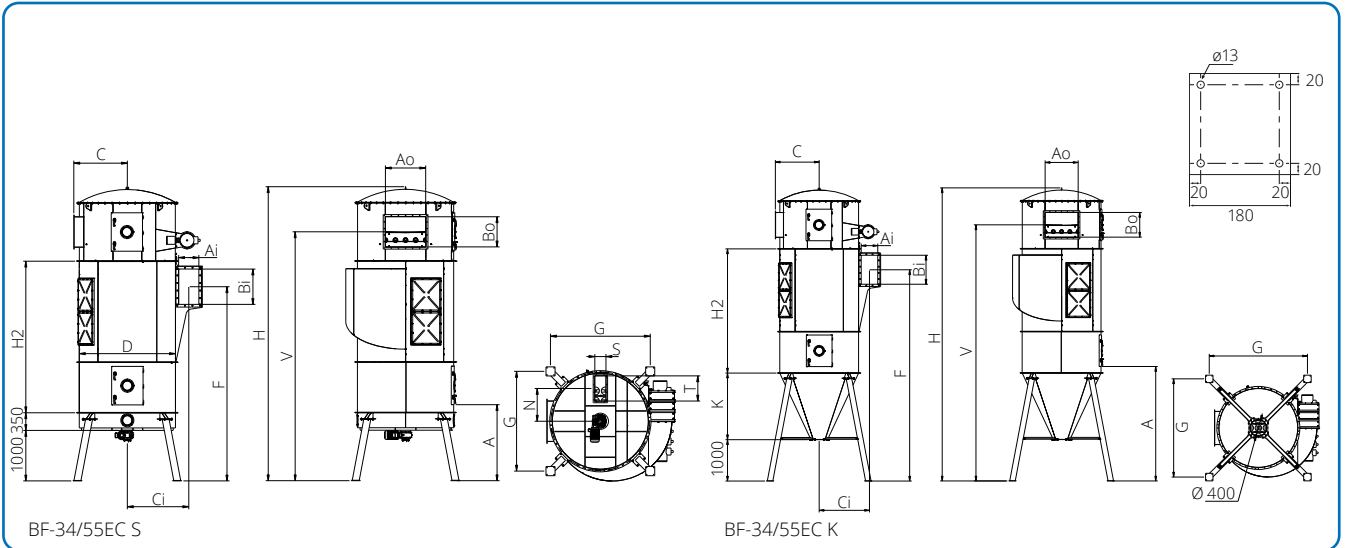
I V F V mm	A×B mm	E×F mm	G mm	J mm	O mm	S×T mm	M mm	Weight with conical kg	Weight with bottomscraper kg	Weight with bottom total separator kg
290	400×800	600×600	1878	1672	455	220×500	400	966	982	975
290	400×800	600×600	1878	1672	455	220×500	400	1086	1101	1086
290	400×800	600×600	1878	1672	455	220×500	400	1181	1123	1192
290	400×800	600×600	1878	1672	455	220×500	400	1292	1308	1305
360	500×900	600×800	2375	1974	655	220×500	600	1455	1441	1360
360	500×900	600×800	2375	1974	655	220×500	600	1620	1607	1663
360	500×900	600×800	2375	1974	655	220×500	600	1806	1792	1850
360	500×900	600×800	2375	1974	655	220×500	600	1971	1957	2005
290	500×1750	600×1200	2875	2292	880	220×500	800	2224	2137	2284
290	500×1750	600×1200	2875	2292	880	220×500	800	2485	2398	2549
290	500×1750	600×1200	2875	2292	880	220×500	800	2740	2653	2765

EC filters



Type	Filter area m ²	Ai x Bi mm	H mm	t mm	H2 mm	F mm	V mm	Ci mm	Ca mm
BF-8-2,0-KT	7,7		4302*	5025	2000	1506	3905	202	263
BF-12-2,0-KT	11,5		4508*	5167	2000	1469	3905	199	300
BF-12-3,0-KT	17,2		5508*	6167	3000	1469	4905	199	300
BF-20-2,0-KT	19,2		4956*	5933	2000	1850	4353	424	424
BF-20-3,0-KT	28,6		5956*	6933	3000	1850	5353	424	424
BF-20-2,0-K	19,2	200x500	4456*	5433	2000	3247	3853	424	424
BF-20-3,0-K	28,6	200x500	5456*	6433	3000	4247	4853	424	424
BF-20-2,0-S	19,2	200x500	4234*	5212	2000	3025	3631	743	424
BF-20-3,0-S	28,6	200x500	5234*	6212	3000	4025	4631	743	424
BF-34-2,0-K	32,4	400x800	5603		2000	3732	4763	965	
BF-34-3,0-K	48,5	400x800	6603		3000	4632	5763	965	
BF-34-4,0-K	61,8	400x800	7603		4000	5632	6763	1015	
BF-34-2,0-S	32,4	400x800	4762		2000	2897	3928	965	
BF-34-3,0-S	48,5	400x800	5762		3000	3797	4928	965	
BF-34-4,0-S	61,8	400x800	6762		4000	4797	5928	1015	
BF-55-2,0-K	52,4	500x900	6081		2000	4105	5188	1216	
BF-55-3,0-K	78,4	500x900	7081		3000	5105	6188	1216	
BF-55-4,0-K	99,8	500x900	8081		4000	6005	7188	1263	
BF-55-2,0-S	52,4	500x900	4821		2000	2845	3928	1215	
BF-55-3,0-S	78,4	500x900	5821		3000	3845	4928	1215	
BF-55-4,0-S	99,8	500x900	6821		4000	4745	5928	1263	

For side relief below the filter bags, H is increased by 1000 mm.



BF-34/55EC S

BF-34/55EC K

C mm	d mm	Ao x Bo mm	D mm	K mm	A mm	N mm	S x T mm	G mm	Weight incl. bags kg
397	225		750	700				1213	280
476	300		900	700				1347	375
476	300		900	700				1347	443
607	350		1200	600				1486	542
607	350		1200	600				1486	628
607	350		1200	600				1486	515
607	350		1200	600				1486	601
607	350		1200		1467	341	220x250	1558	575
607	350		1200		1497	341	220x250	1558	662
858		600x600	1500	1185	2341			1878	1058
858		600x600	1500	1185	2341			1878	1178
858		600x600	1500	1185	2341			1878	1263
858		600x600	1500		1506	450	220x500	1672	1074
858		600x600	1500		1506	450	220x500	1672	1193
858		600x600	1500		1506	450	220x500	1672	1205
1060		800x600	1900	1610	2766			2375	1560
1060		800x600	1900	1610	2766			2375	1725
1060		800x600	1900	1610	2766			2375	1894
1060		800x600	1900		1506	649	220x500	1974	1546
1060		800x600	1900		1506	649	220x500	1974	1712
1060		800x600	1900		1506	649	220x500	1974	1880