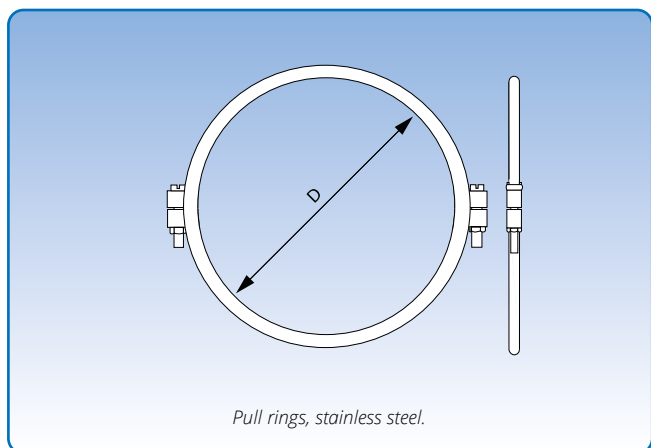


## Pull rings, stainless steel

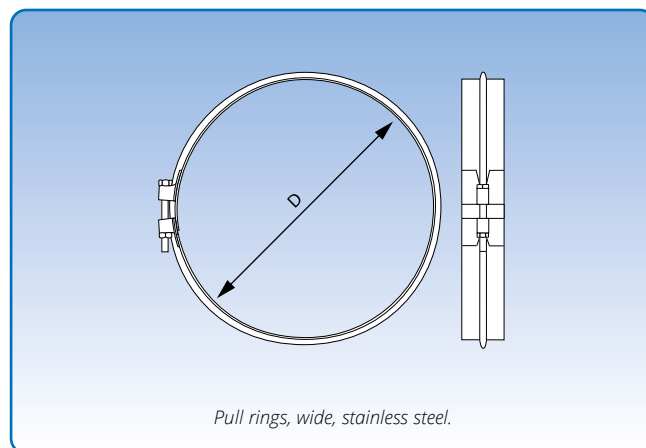


Diameter:  $\varnothing 80 - \varnothing 400$  mm.

Stainless steel pull rings [f.b] are in two pieces.

EPDM rubber rings are available as optional extras for sealing of diameter assemblies  $\varnothing 80 - \varnothing 500$  mm.

Stainless steel pull rings [f.b] are supplied individually with nuts and bolts.



Diameter:  $\varnothing 200 - \varnothing 800$  mm.

Wide stainless steel pull rings [f.bb] are supplied individually with nuts and bolts.

Pull rings, stainless steel		
Item no.	D mm	Weight/10 pcs. kg
1699908	80	0,08
1699910	100	0,08
1699912	120	0,08
1699913	125	0,08
1699914	140	0,08
1699915	150	0,80
1699916	160	0,08
1699918	175	0,33
1699919	180	0,33
1699920	200	0,33
1699922	225	0,33
1699925	250	0,33
1699927	275	0,33
1699930	300	0,33
1699932	315	0,33
1699935	350	0,33
1699940	400	0,33

Pull rings, wide, stainless steel		
Item no.	D mm	Weight / pcs. kg
1699956	200	0,35
1699959	225	0,33
1699960	250	0,36
1699962	275	0,38
1699964	300	0,40
1699966	315	0,43
1699970	350	0,48
1699974	400	0,53
1699976	450	0,58
1699978	500	0,63
1699980	550	0,68
1699982	600	0,71
1699984	630	0,73
1699986	650	0,78
1699988	700	0,83
1699990	750	0,88
1699992	800	0,88