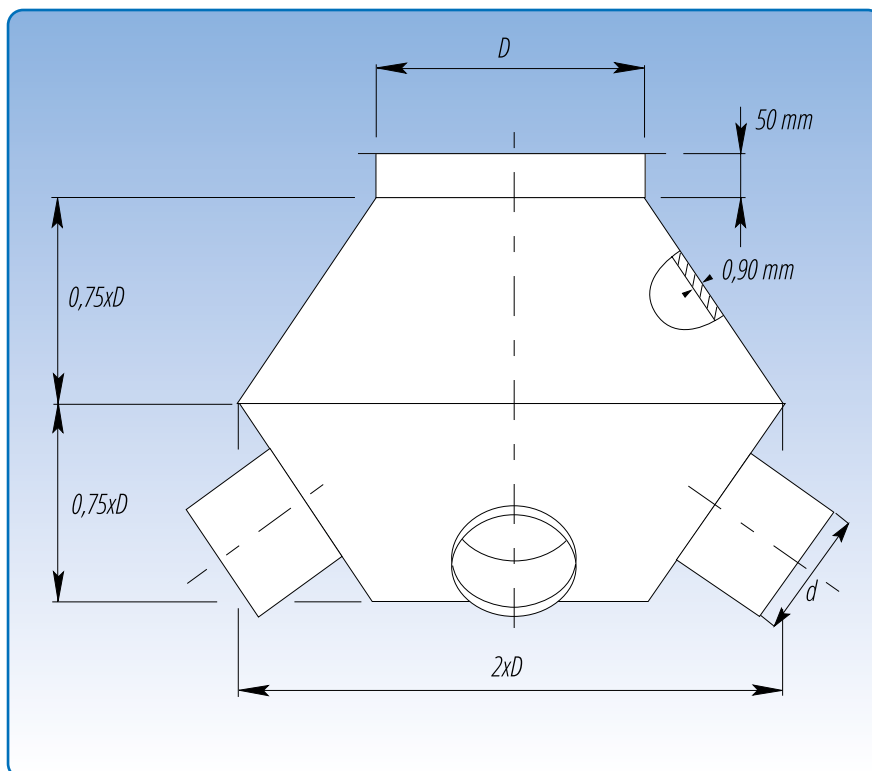


Sweep ups, galvanised

Diameter: $\varnothing 100 - \varnothing 200$ mm.

Sweep ups for suction of floor areas are made of 0.90 mm galvanised sheet metal.

Sweep ups are fitted with grill and no gate as standard. Can be supplied with both.



Dimensional specifications are given in the table below.

Item no.	Dimensions		Weight kg
	D mm	B mm	
4671401	100	220	3,53
4672401	120	220	3,77
4673401	125	220	3,77
4674401	140	220	3,79
4675401	150	285	3,81
4676401	160	285	3,88
4677401	180	285	4,58
4678401	200	285	4,80

The item numbers stated are for sweep ups assembled using rapid lock pull rings [f.lyn].