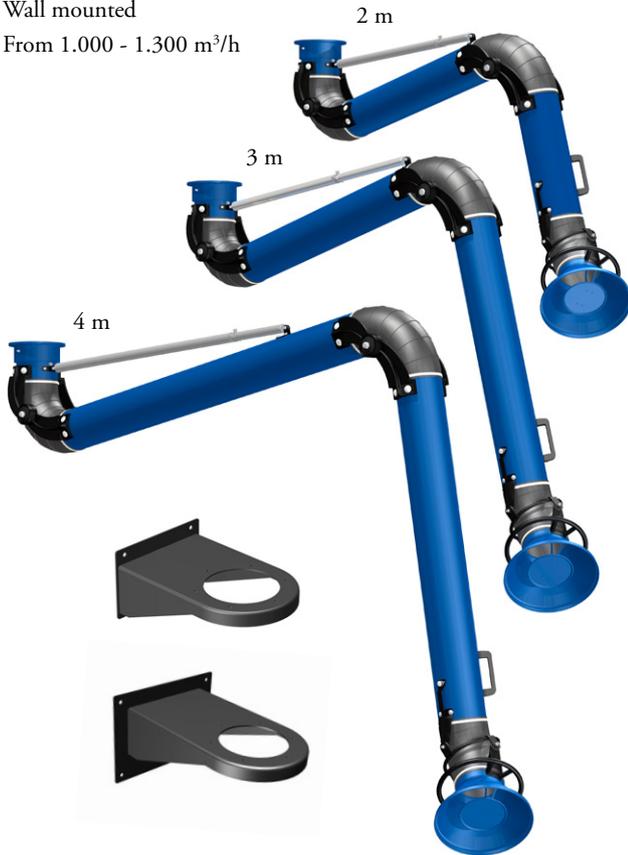


Extraction arm ø 160

Wall mounted
From 1.000 - 1.300 m³/h



Dimensions Lever length	
Lever length m	Item no.
2	2980162
3	2980163
4	2980164

Dimensions wall bracket	
ø160	2980190

Pressure drop and air volume (length: 3 meter)

