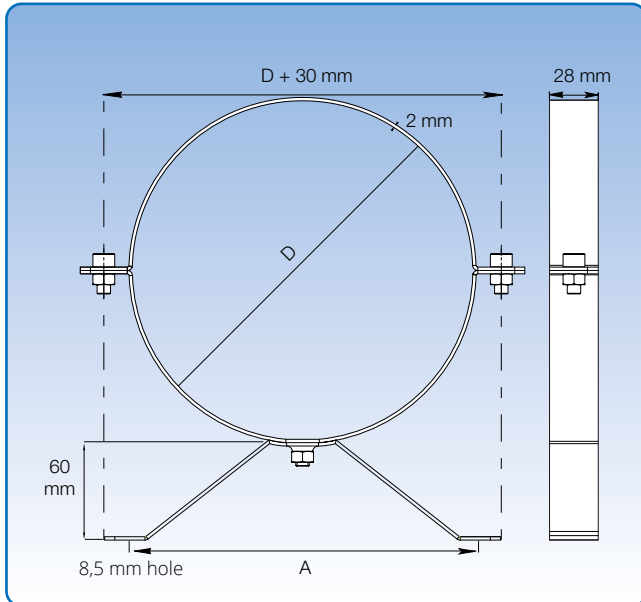


## Clip bands, galvanised



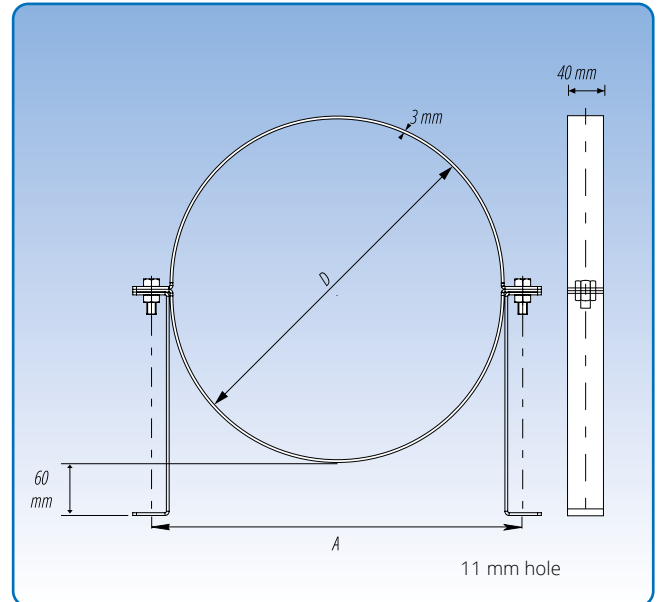
Diameter:  $\varnothing 80 - \varnothing 315$  mm.

Supplied for mounting JKF duct systems. 3 different mounting principles: with legs, wall mounted and hanging.

Recommended distance between bands: 1 band to every other assembly. If the bands are used in a fire zone, the specifications in DS 428 must be complied with.

They are supplied in plastic bags of 5, along with the necessary nuts and bolts.

s = 2 mm				
Item no. without legs	Legs f/clip support	D mm	A mm	Weight kg
4670280	4660281	80	132	0,27
4671280	4660281	100	132	0,29
4672280	4660281	120	132	0,32
4673280	4660281	125	132	0,33
4674280	4660281	140	132	0,35
4675280	4660281	150	132	0,36
4676280	4660281	160	132	0,38
4677280	4660282	180	210	0,43
4678280	4660282	200	210	0,46
4679280	4660282	225	210	0,50
4680280	4660282	250	210	0,53
4688289	4660282	275	210	0,57
4681280	4660282	300	210	0,60
4682280	4660282	315	210	0,62



Diameter:  $\varnothing 350 - \varnothing 800$  mm.

Supplied for mounting JKF duct systems. 3 different mounting principles: with legs, wall mounted and hanging.

Recommended distance between bands: 1 band to every other assembly. If the bands are used in a fire zone, the specifications in DS 428 must be complied with.

s = 3 mm				
Item no. without legs	Legs f/clip support	D mm	A mm	Weight kg
4683280	4660283	350	399	1,66
4683290	46602831	375	424	1,71
4684280	4660284	400	449	1,83
4685280	4660285	450	499	2,01
4686280	4660286	500	549	2,27
4687280	4660287	550	599	2,33
4688280	4660288	600	649	2,42
4689280	4660290	630	679	2,51
4690280	4660292	650	699	3,64
4691280	4660294	700	749	3,88
4692280	4660296	750	799	4,09
4693280	4660298	800	849	4,31