

SuperBlower filter

The SuperBlower filter is an under- and over-pressure filter designed to run in constant operation.

Constructed as a self-supporting sheet metal construction in high tensile steel modules. Process air is passed into a filter chamber, where the larger particles settle to the bottom of the filter, from where the air is passed through filter bags which retain the residual particles.

The modular SuperBlower filter is a flexible design which can be adapted to any given task in terms of capacity by dimensioning the filter height and the number of filterbags.

Surface

Powder coated to corrosion class C3 cf. ISO 12944.

Inlet

The SuperBlower filter is available with 180° tangential inlet, standard 706 x 1806 mm or large 1006 x 2106 mm. Inlets can be fitted at both ends of the filter.

Cleaning system

The filter is delivered with PowerPulse®.

Discharge system

Scraper bottom with outlet for rotary valve, screw, bucket or container.

ATEX

SuperBlower filter with PowerPulse® cleaning and external compressed air is ATEX approved and fitted with JKF's specially developed VFV® explosion relief venting (vertical explosion relief venting through the filter top).

Operating range

Pressure: +/- 5000 Pa
Filter area: 221-1295 m²
Max. operating temperature: 40°C
Min. operating temperature: -10°C

Connection

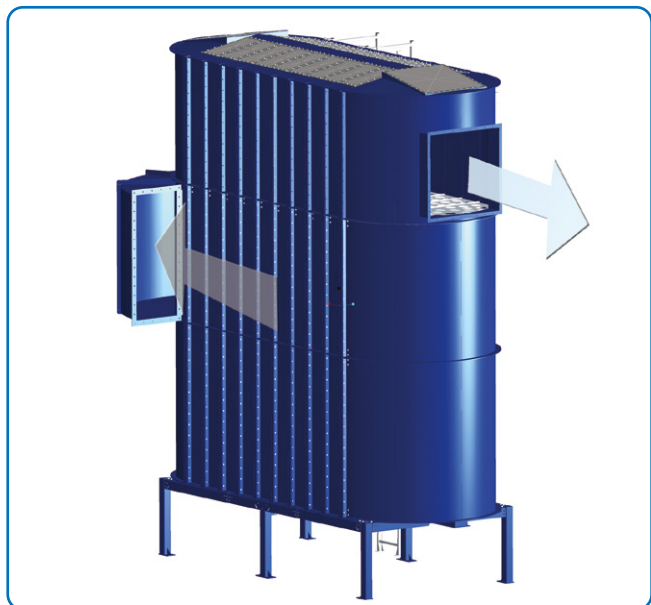
Gear motor cleaning carriage:
0.18 kW, 20.0 min⁻¹, 3 x 230 V, 50 Hz, 0.9 A

Gear motor scraper bottom:

2 x 0.75 kW, 17.5 min⁻¹, 3 x 400 V, 50 Hz, 2 x 2.2 A

Inductive sensor, scraper bottom:

24 VDC



*SBF filter with scraper bottom and tangential inlet.
Shown here with VFV® explosion relief venting in filter top.*

SuperBlower filter

PowerPulse® filter control system:

0.6 kW, 1 x 230 V, 50 Hz, 1.9 A

External compressed air - PowerPulse®:

5 bar, min. 350 NI/min.

Air quality according to ISO 8573-1: 2010 [5:3:4]

External connection: 1/4" internal thread.

Noise

Noise level during cleaning measured 5 m from the filter in ground level:

External compressed air PowerPulse®: 69.8 dBA

Internal compressor PowerPulse®: 74.6 dBA

Accessories

Ladder/gangway:

Ladder/gangway designed according to ISO/EN/DIN 14122.3/4 and available in several configurations. See page 11.

Ladder with gangway, front-mounted

Ladder with gangway, side-mounted

Ladder with double gangway, front-mounted

Ladder with double gangway, side-mounted

Monitoring apparatus for explosion membrane

Door contacts:

2.3 (close-before-switch-contact) in accordance with EN50047, IP67 NC contact.



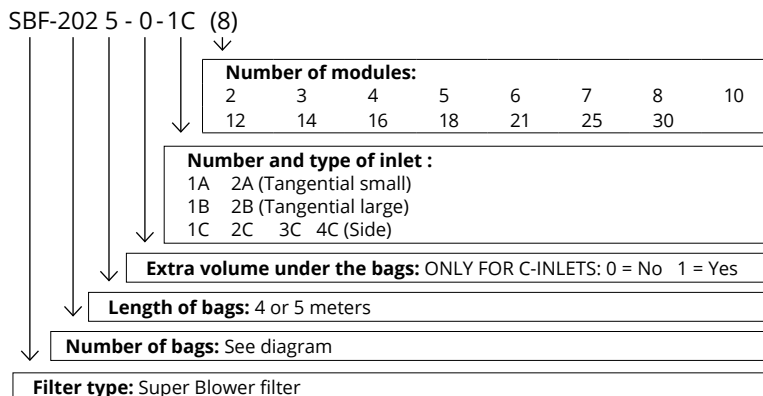
*SBF filter with scraper bottom and side inlet.
Shown here with VFV® explosion relief venting in filter top.
With ladder and platform mounted.*

SuperBlower filter

Type designations

Filters are type-designated using a combination of letters and numbers separated by hyphens and spaces.

Designation SBF-202 5 - 0 - 1C (8) thus describes a Super-Blower filter with 202 filter bags, 5 m filter bags and 1 side inlets.

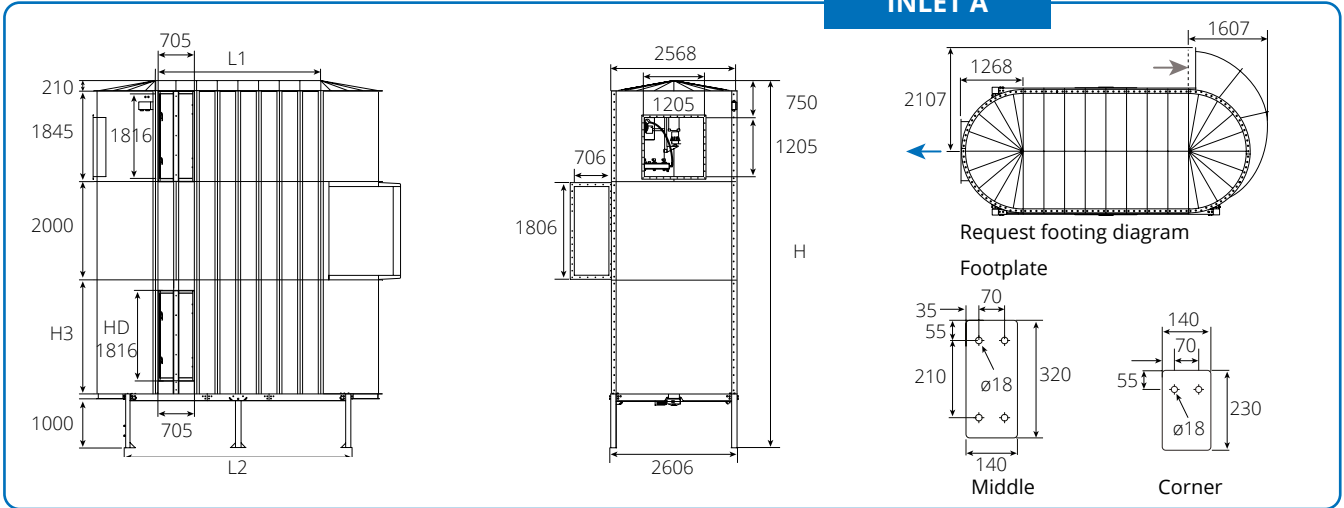


INLET A						INLET B						L1	L2	No. of legs	H
1			2			1			2						
Bags	Area	Description 2	Bags	Area	Description 2	Bags	Area	Description 2	Bags	Area	Description 2				
122	221	SBF-122 4-0-1A (2)				122	221	SBF-122 4-0-1B (2)				840	2113	4	7471
142	258	SBF-142 4-0-1A (3)				142	258	SBF-142 4-0-1B (3)				1260	2533	4	7471
142	316	SBF-142 5-0-1A (3)				142	316	SBF-142 5-0-1B (3)				1260	2533	4	8471
162	294	SBF-162 4-0-1A (4)				162	294	SBF-162 4-0-1B (4)				1680	2953	4	7471
162	361	SBF-162 5-0-1A (4)				162	361	SBF-162 5-0-1B (4)				1680	2953	4	8471
182	330	SBF-182 4-0-1A (5)	182	330	SBF-182 4-0-2A (5)	182	330	SBF-182 4-0-1B (5)				2100	3373	4	7471
182	405	SBF-182 5-0-1A (5)	182	405	SBF-182 5-0-2A (5)	182	405	SBF-182 5-0-1B (5)				2100	3373	4	8471
			202	450	SBF-202 5-0-2A (6)	202	450	SBF-202 5-0-1B (6)				2520	3793	6	8471
			222	494	SBF-222 5-0-2A (7)	222	494	SBF-222 5-0-1B (7)	222	494	SBF-222 5-0-2B (7)	2940	4213	6	8471
			242	539	SBF-242 5-0-2A (8)	242	539	SBF-242 5-0-1B (8)	242	539	SBF-242 5-0-2B (8)	3360	4633	6	8471
									282	628	SBF-282 5-0-2B (10)	4200	5473	8	8471
									322	717	SBF-322 5-0-2B (12)	5040	6313	8	8471
									362	806	SBF-362 5-0-2B (14)	5880	7153	10	8471
									402	895	SBF-402 5-0-2B (16)	6720	7993	10	8471
									442	984	SBF-442 5-0-2B (18)	7560	8833	10	8471
									502	1117	SBF-502 5-0-2B (21)	8820	10093	12	8471
									582	1295	SBF-582 5-0-2B (25)	10500	11773	12	8471

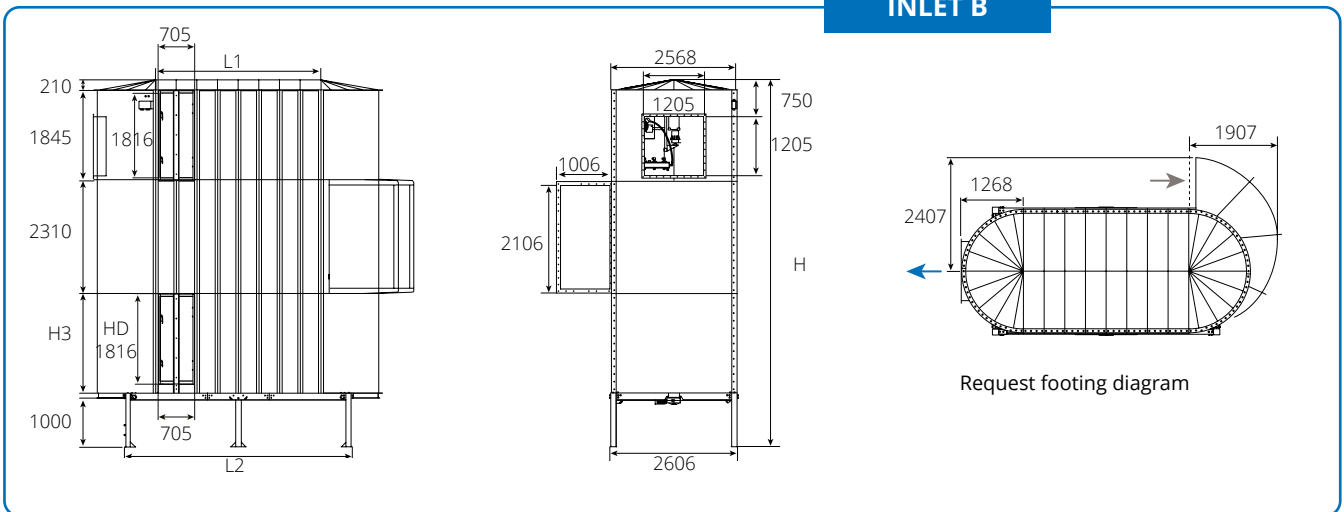
INLET C												L1	L2	No. of legs	H
1			2			3			4						
Bags	Area	Description 2	Bags	Area	Description 2	Bags	Area	Description 2	Bags	Area	Description 2				
122	221	SBF-122 4-0-1C (4)										1680	2953	4	7471
122	221	SBF-122 4-1-1C (4)										1680	2953	4	8471
122	271	SBF-122 5-0-1C (4)										1680	2953	4	8471
122	271	SBF-122 5-1-1C (4)										1680	2953	4	9471
142	258	SBF-142 4-0-1C (5)										2100	3373	4	7471
142	258	SBF-142 4-1-1C (5)										2100	3373	4	8471
142	316	SBF-142 5-0-1C (5)										2100	3373	4	8471
142	316	SBF-142 5-1-1C (5)										2100	3373	4	9471
162	361	SBF-162 5-0-1C (6)										2520	3793	6	8471
162	361	SBF-162 5-1-1C (6)										2520	3793	6	9471
182	405	SBF-182 5-0-1C (7)										2940	4213	6	8471
182	405	SBF-182 5-1-1C (7)										2940	4213	6	9471
202	450	SBF-202 5-0-1C (8)	162	361	SBF-162 5-0-2C (8)							3360	4633	6	8471
202	450	SBF-202 5-1-1C (8)	162	361	SBF-162 5-1-2C (8)							3360	4633	6	9471
			202	450	SBF-202 5-0-2C (10)							4200	5473	8	8471
			202	450	SBF-202 5-1-2C (10)							4200	5473	8	9471
			242	539	SBF-242 5-0-2C (12)							5040	6313	8	8471
			242	539	SBF-242 5-1-2C (12)							5040	6313	8	9471
			282	628	SBF-282 5-0-2C (14)							5880	7153	10	8471
			282	628	SBF-282 5-1-2C (14)							5880	7153	10	9471
			322	717	SBF-322 5-0-2C (16)							6720	7993	10	8471
			322	717	SBF-322 5-1-2C (16)							6720	7993	10	9471
			362	806	SBF-362 5-0-2C (18)	322	717	SBF-322 5-0-3C (18)				7560	8833	10	8471
			362	806	SBF-362 5-1-2C (18)	322	717	SBF-322 5-1-3C (18)				7560	8833	10	9471
			422	939	SBF-422 5-0-2C (21)	382	850	SBF-382 5-0-3C (21)	342	761	SBF-342 5-0-4C (21)	8820	10093	12	8471
			422	939	SBF-422 5-1-2C (21)	382	850	SBF-382 5-1-3C (21)	342	761	SBF-342 5-1-4C (21)	8820	10093	12	9471
						462	1028	SBF-462 5-0-3C (25)	422	939	SBF-422 5-0-4C (25)	10500	11773	12	8471
						462	1028	SBF-462 5-1-3C (25)	422	939	SBF-422 5-1-4C (25)	10500	11773	12	9471
									522	1162	SBF-522 5-0-4C (30)	12600	13873	14	8471
									522	1162	SBF-522 5-1-4C (30)	12600	13873	14	9471

SuperBlower filter

INLET A



INLET B



INLET C

