

Rotary valve type B-S/B-EXS

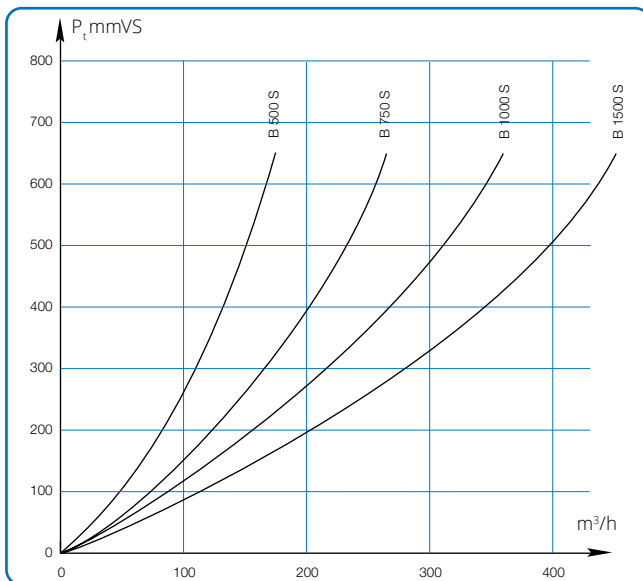
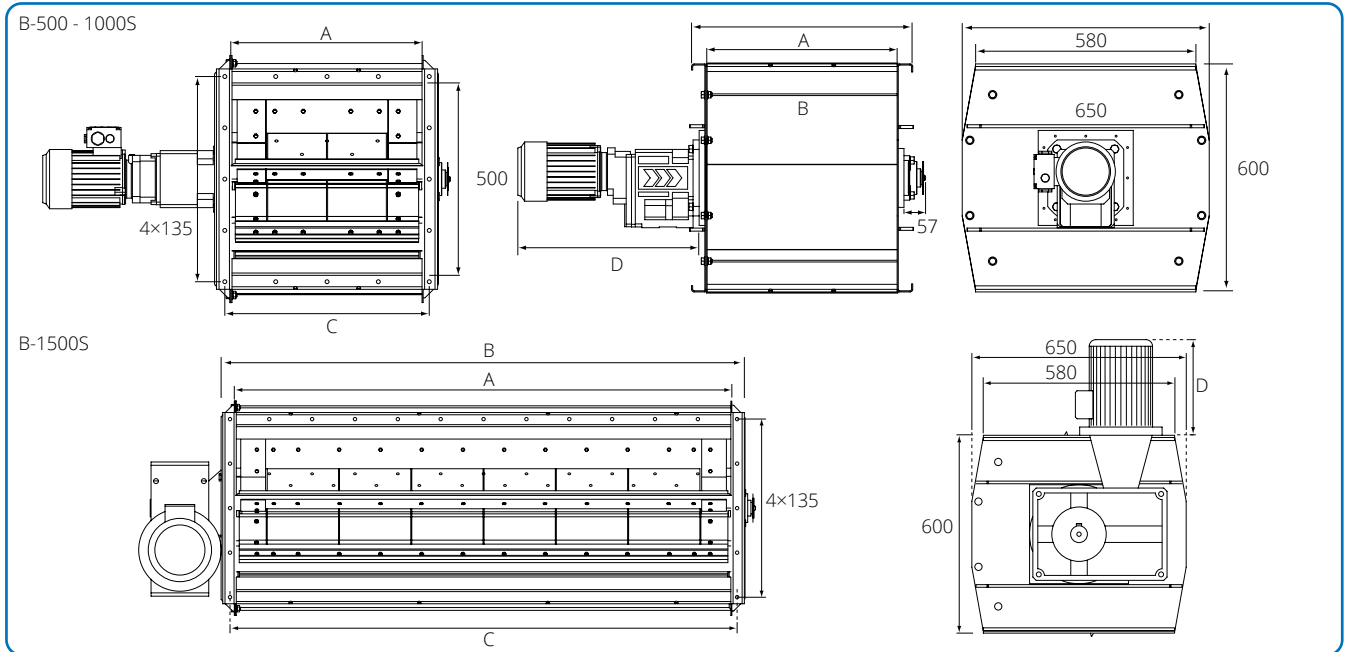


Diagram states loss through rotary valve depending on pressure conditions.

Rotary valves type B-S/B-EXS are fitted with an 8-bladed rotor with hard-wearing rubber blades bolted to the rotor shaft plate profiles.

The rotor is separated from the rotor housing by felt ring. The shaft is suspended on bearings and connected directly to the gear motor.

The rotor is made of 2 mm plate and can be supplied with a range of different rubber blades, e.g.:

- Neoprene rubber blades
- Silicone rubber blades
- Polyurethane rubber

B-S rotary valve is ATEX-approved for category 2D, whereas B-EXS rotary valve is ATEX-approved for category 1D safety system.

The EXS variants are only available with rubber blades made of neoprene.

| Dimensions | | | | | |
|------------|------|------|------|----------|-----------|
| Type | A mm | B mm | D mm | C mm | Weight kg |
| B-500S | 500 | 580 | 525 | 4 × 135 | 140 |
| B-750S | 750 | 830 | 525 | 5 × 158 | 185 |
| B-1000S | 1000 | 1080 | 610 | 8 × 130 | 260 |
| B-1500S | 1500 | 1580 | 296 | 12 × 130 | 480 |
| B-500EXS | 500 | 580 | 525 | 4 × 135 | 140 |
| B-750EXS | 750 | 830 | 525 | 5 × 158 | 185 |
| B-1000EXS | 1000 | 1080 | 610 | 8 × 130 | 260 |

| Dimensions | | | | |
|------------|-----------------|-----------------------------|-------------------|-------------------------------------|
| Type | Motor output kW | Ampere consumption at 400 V | min ⁻¹ | Capacity 50% full m ³ /h |
| B-500S | 0,75 | 1,82 | 16 | 60 |
| B-750S | 0,75 | 1,82 | 16 | 90 |
| B-1000S | 1,10 | 2,50 | 16 | 120 |
| B-1500S | 2,20 | 4,85 | 16 | 180 |