

Ducts with direct flange, 2 and 3 mm

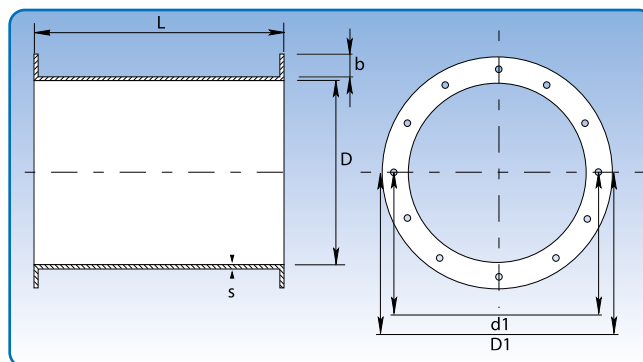
Diameter: ø300 - ø1000 mm.

Ducts with direct flanges are welded and made of 2.00 and 3.00 mm sheet metal (s).

Ducts are supplied with direct flanges [d.fl] in same material as ducts.

Direct flanges can be fitted along with JKF's standard range of loose and welded flanges.

Item numbers stated are for primed ducts.



Dimensional specifications are given in the table below.

Dimensions												
D mm	s mm	D1 mm	d1 mm	Weight at L = 0.2 m		Weight at L = 0.5 m		Weight at L = 1.0 m		Weight at L = 2.0 m		Quant. holes
				Item no.	kg	Item no.	kg	Item no.	kg	Item no.	kg	
300	2,00	354	336	1051299	3,20	1051139	7,60	1051149	15,20	1051159	30,40	12
315	2,00	370	351	1052299	3,30	1052139	7,90	1052149	15,80	1052159	31,60	12
350	2,00	415	389	1053299	3,80	1053139	8,90	1053149	17,80	1053159	35,60	12
400	2,00	465	439	1054299	4,30	1054139	10,10	1054149	20,20	1054159	40,40	16
450	2,00	515	489	1055299	4,90	1055139	11,40	1055149	22,80	1055159	45,60	16
500	2,00	565	540	1056299	5,40	1056139	12,60	1056149	25,20	1056159	50,40	16
550	2,00	615	590	1057299	6,00	1057139	13,90	1057149	27,80	1057159	55,60	16
600	2,00	665	640	1058299	6,60	1058139	15,20	1058149	30,40	1058159	60,80	16
630	2,00	695	670	1059299	6,40	1059139	15,90	1059149	31,80	1059159	63,60	24
650	2,00	715	690	1060299	6,60	1060139	16,40	1060149	32,80	1060159	65,60	24
700	2,00	785	750	1061299	7,10	1061139	17,60	1061149	35,20	1061159	70,40	24
750	2,00	835	800	1062299	7,60	1062139	18,90	1062149	37,80	1062159	75,60	24
800	2,00	885	850	1063299	8,10	1063139	20,20	1063149	40,40	1063159	80,80	24
850	2,00	935	900	1064299	8,60	1064139	21,40	1064149	42,80	1064159	85,60	24
900	2,00	985	950	1065299	9,10	1065139	22,70	1065149	45,30	1065159	90,60	24
950	2,00	1035	1000	1066299	9,60	1066139	24,00	1066149	48,00	1066159	96,00	24
1000	2,00	1085	1050	1067299	10,10	1067139	25,20	1067149	50,40	1067159	100,80	24
300	3,00	354	336	1051399	4,80	1051169	11,40	1051179	22,80	1051189	45,60	12
315	3,00	370	351	1052399	5,00	1052169	11,90	1052179	23,70	1052189	47,40	12
350	3,00	415	389	1053399	5,70	1053169	13,30	1053179	26,60	1053189	53,20	12
400	3,00	465	439	1054399	6,50	1054169	15,20	1054179	30,40	1054189	60,80	16
450	3,00	515	489	1055399	7,30	1055169	17,10	1055179	34,20	1055189	68,40	16
500	3,00	565	540	1056399	8,10	1056169	19,00	1056179	38,00	1056189	76,00	16
550	3,00	615	590	1057399	8,40	1057169	20,90	1057179	41,80	1057189	83,60	16
600	3,00	665	640	1058399	9,70	1058169	22,70	1058179	45,40	1058189	90,80	16
630	3,00	695	670	1059399	9,50	1059169	23,80	1059179	47,60	1059189	95,20	24
650	3,00	715	690	1060399	9,70	1060169	24,60	1060179	49,20	1060189	98,40	24
700	3,00	785	750	1061399	10,60	1061169	26,40	1061179	52,80	1061189	105,60	24
750	3,00	835	800	1062399	11,30	1062169	28,30	1062179	56,60	1062189	113,20	24
800	3,00	885	850	1063399	12,10	1063169	30,20	1063179	60,40	1063189	120,80	24
850	3,00	935	900	1064399	12,90	1064169	32,10	1064179	64,20	1064189	128,40	24
900	3,00	985	950	1065399	13,60	1065169	34,00	1065179	68,00	1065189	136,00	24
950	3,00	1035	1000	1066399	14,40	1066169	35,90	1066179	71,80	1066189	143,60	24
1000	3,00	1085	1050	1067399	15,10	1067169	37,80	1067179	75,60	1067189	151,20	24

Duct length/flange width/hole size

D mm	b mm	L = 0.2 m mm	L = 0.5 m mm	L = 1.0 m mm	L = 2.0 m mm	Hole size mm
300 - 315	25	200	455	955	1955	9
350 - 650	30	200	445	945	1945	11
700 - 1000	40	200	425	925	1925	11